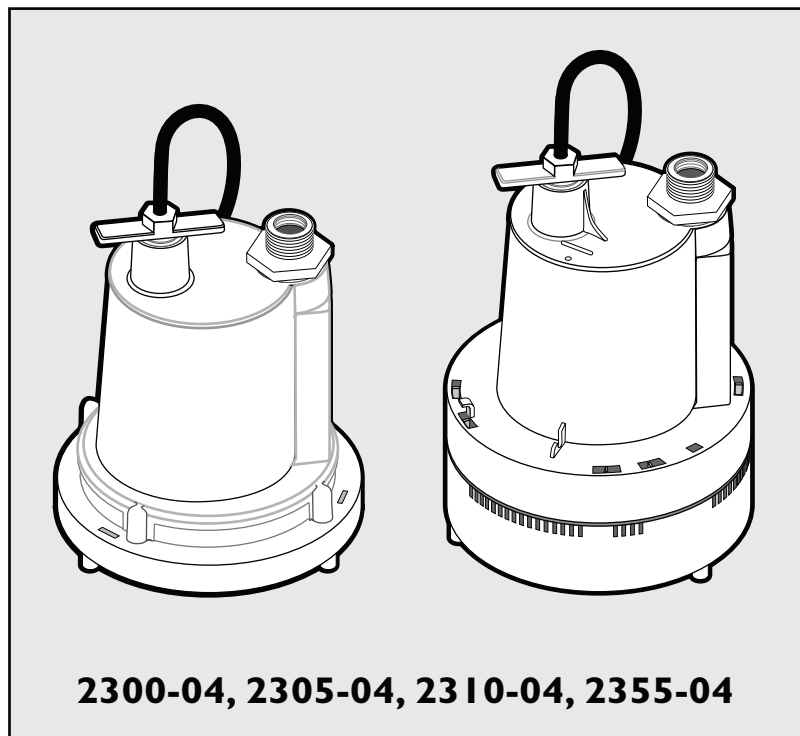


Simer[®]
WE RUN THE WATER IN YOUR HOME™
293 Wright Street, Delavan, WI 53115
Phone: 800-468-7867
Fax: 800-390-5351
www.simerpump.com

OWNER'S MANUAL
Submersible Utility Pumps

NOTICE D'UTILISATION
**Pompe submersible
à usage général**

MANUAL DEL USUARIO
**Bomba sumergible
de uso general**



Installation/Operation/Parts

*For further operating, installation,
or maintenance assistance:*

Call 800-468-7867

English..... Pages 2-6

Installation/Fonctionnement/Pièces

*Pour plus de renseignements
concernant l'utilisation,
l'installation ou l'entretien,*

Composer le (800) 468-7867

Français Pages 7-11

Instalación/Operación/Piezas

*Para mayor información sobre el
funcionamiento, instalación o
mantenimiento de la bomba:*

Llame al 800-468-7867

Español..... Páginas 12-16

Important Safety Instructions

SAVE THESE INSTRUCTIONS - This manual contains important instructions that should be followed during installation, operation, and maintenance of the product.

⚠ This is the safety alert symbol. When you see this symbol on your pump or in this manual, look for one of the following signal words and be alert to the potential for personal injury!

⚠ DANGER indicates a hazard which, if not avoided, *will* result in death or serious injury.

⚠ WARNING indicates a hazard which, if not avoided, *could* result in death or serious injury.

⚠ CAUTION indicates a hazard which, if not avoided, *could* result in minor or moderate injury.

NOTICE addresses practices not related to personal injury.

Carefully read and follow all safety instructions in this manual and on pump.

Keep safety labels in good condition. Replace missing or damaged safety labels.

California Proposition 65 Warning

⚠ WARNING This product and related accessories contain chemicals known to the State of California to cause cancer, birth defects or other reproductive harm.

NOTICE This unit is not designed for applications involving salt water or brine! Use with salt water or brine will void warranty.

Specifications

Power supply required 115V, 60 HZ.
 Liquid Temp. Range Less Than 120°F (50°C)
 Individual Branch Circuit Required (min.) 15 Amps
 Pump Discharge..... 1-1/4" NPT
 Adapter3/4" Garden Hose

⚠ WARNING Risk of fire and explosion. Can cause severe injury, property damage or death. Do not use in explosive atmospheres.

Pump water only with this pump.

NOTICE This unit is not designed as a waterfall or fountain pump, or for applications involving salt water or brine! Use with waterfalls, fountains, salt water or brine will void warranty.

Do not use where water recirculates.

Not designed for use as a swimming pool drainer.

Performance

GPH (LPG) At Total Feet (M)						
Model No.	0 (0)	5 (1.5m)	10 (3m)	15 (4.6m)	20 (6.1m)	25 (7.6)
Capacity Gallons (L)/Hour						
2300-04	1,320	1,170	1,020	810	510	-
2305-04	(4,997)	(4,429)	(3,861)	(3,066)	(1,931)	(-)
2310-04						
2355-04	2,160 (8,160)	1,740 (6,600)	1,620 (6,120)	1,260 (4,790)	720 (2,700)	60 (240)

Electrical and Switch Specifications

Model No.	HP	Motor Full Load Amps	Individual Branch Circuit Req. (Amps)
2300-04	1/4	5.6	10
2305-04	1/4	6.0	10
2310-04	1/4	5.6	10
2355-04	1/3	10.0	15

1. Know the pump application, limitations, and potential hazards.
2. **Do not use this pump in water with fish present. If any oil leaks out of the motor it can kill fish.**
3. Disconnect the power before servicing.
4. Release all the pressure within the system before servicing any component.
5. Drain all the water from the system before servicing.
6. Secure the discharge line before starting the pump. An unsecured discharge line will whip, possibly causing personal injury and/or property damage.
7. Check hoses for a weak or worn condition before each use, making certain that all connections are secure.

8. Periodically inspect the pump and the system components. Keep free of debris and foreign objects. Perform routine maintenance as required.
9. Provide a means of pressure relief for pumps whose discharge line can be shut-off or obstructed.
10. Personal Safety:
 - a. Wear safety glasses at all times when working with pumps.
 - b. Keep work area clean, uncluttered and properly lighted – replace all unused tools and equipment.
 - c. Keep visitors at a safe distance from work area.
 - d. Make workshop child-proof – with padlocks, master switches, and by removing starter keys.
11. When wiring an electrically driven pump, follow all of the electrical and safety codes that apply.
12. **This equipment is only for use on 115 volt (single phase) and is equipped with an approved 3-conductor cord and 3-prong, grounding-type plug.**

⚠ WARNING Risk of electric shock. Can shock, burn or kill. To reduce the risk of electric shock, pull the plug before servicing. This pump has not been investigated for use in swimming pool areas. The pump is supplied with a grounding conductor and grounding-type attachment plug. Be sure it is connected only to a properly grounded grounding-type receptacle.

Where a 2-prong wall receptacle is encountered, it must be replaced with properly grounded 3-prong receptacle installed in accordance with the codes and ordinances that apply.

Do not walk on wet area until all power has been turned off. If the shut-off box is in the basement, call the electric company or hydro authority to shutoff the service to house, or call your local fire department for instructions. Failure to follow this warning can result in a fatal electrical shock.

Do not lift the pump by the power cord.

13. All wiring should be performed by a qualified electrician.
14. Make certain the power source conforms to the requirements of your equipment.
15. Protect the electrical cord from sharp objects, hot surfaces, oil, and chemicals. Avoid kinking the cord. Replace or repair damaged or worn cords immediately.
16. Do not touch an operating motor. Modern motors can operate at high temperatures.
17. Do not handle the pump or the pump motor, or change fuses with wet hands or when standing on wet or damp surface, or in water.

Installation

1. Set the pump on a hard surface in at least 2 inches of water.
2. Connect the discharge line with the fittings provided.
3. The pump should not be installed on clay, dirt, mud or sand surfaces. Although the pump will usually pass small particles suspended in water, clean the area to be pumped of small stones and gravel which could clog the pump.

NOTICE Grass, mud, sand or pea gravel can clog the pump and reduce its performance. Keep the pump inlet screen clean.

4. To reduce motor noise and vibrations when using rigid pipe, a short length of rubber hose (e.g. radiator hose) can be connected into the discharge line near the pump using suitable clamps.
5. Power Supply: These pumps are designed for 115 V., 60 Hz., operation and requires a minimum 15 amp individual branch circuit. Pump is supplied with a 3-wire cord with grounding-type plug.

⚠ WARNING Risk of electric shock. Can shock, burn or kill. Pump should always be electrically grounded to a suitable electrical ground such as a grounded water pipe or a properly grounded metallic raceway, or ground wire system. Do not cut off round ground pin.

6. If the pump discharge line is exposed to an outside sub-freezing atmosphere, the portion of line exposed must be installed so any water remaining in the pipe will drain to the outfall by gravity. Failure to do this can cause the water trapped in the discharge to freeze which could result in damage to the pump.
7. Check the system operation by observing the pump operation through one complete cycle.

⚠ CAUTION Risk of flooding. Can cause personal injury and/or property damage. Failure to make this operational check may lead to improper operation, premature failure, and flooding.

Operation

⚠ WARNING Risk of electric shock. Can shock, burn or kill. Do not handle a pump or pump motor with wet hands or when standing on wet or damp surface, or in water.

Before attempting to check why a unit has stopped operating, disconnect power from the unit.

1. The shaft seal depends on water for lubrication and cooling. Do not operate the pump unless it is submerged in water as seal may be damaged if allowed to run dry.

- The pump will not remove all water. On a flat surface Model Nos. 2300, 2305, and 2310 will pump down to within 1/8" of the pumping surface. Model No. 2355 will pump down to within 5/8" of the pumping surface.

⚠ WARNING Risk of electric shock. Can shock, burn or kill. For long cycle times, the pump must be submerged to prevent the motor from overheating. A fully submerged pump is preferred for proper cooling when a pump runs for a long time.

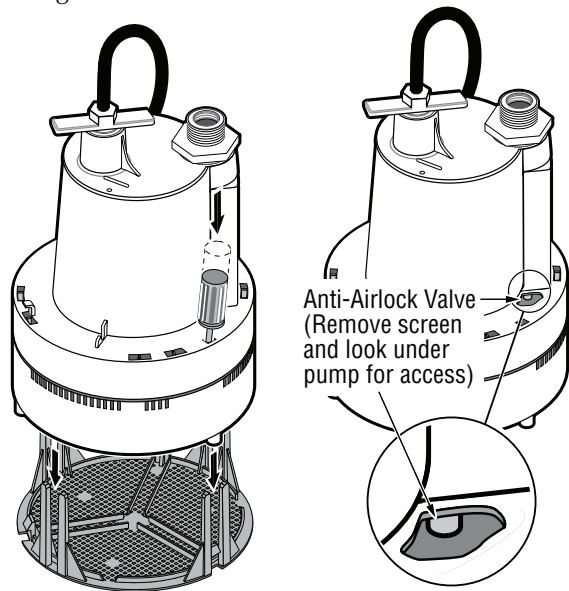


Figure 1 - Unsnap screen with screwdriver and tap out to clean it. Be sure all snaps catch when reinstalling it.

Airlocks

When a pump airlocks, it runs but does not move any water. An airlock will cause the pump to overheat and fail. The pumps have a built in anti-airlock hole. See Figure 1 for the location of the hole. Water leakage from the anti-airlock hole is normal.

If you suspect an airlock, unplug the pump, clean out the anti-airlock hole with a paper clip or a piece of wire, and restart the pump.

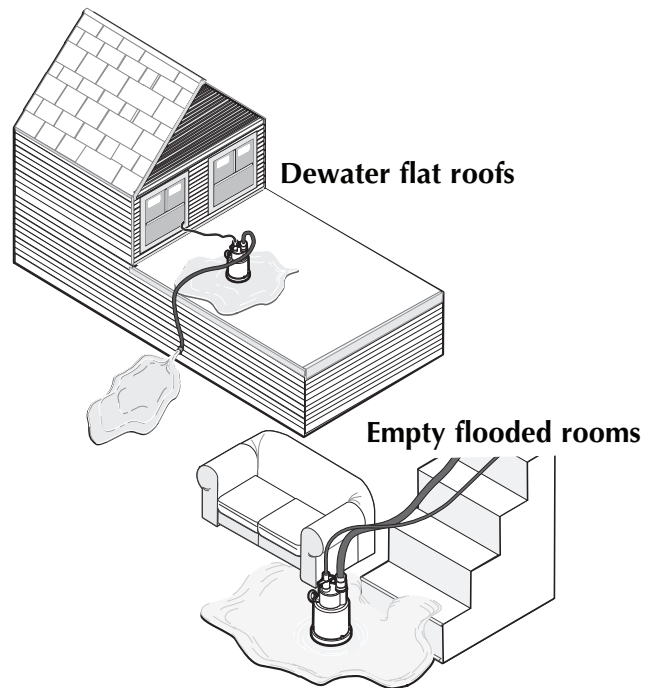


Figure 2 - Typical uses

Troubleshooting

Symptom	Probable Cause(s)	Corrective Action
Pump won't start or run.	Pump is not plugged in. Blown fuse. Low line voltage. Defective motor.	Check and see if pump is plugged in to a proper outlet. If blown, replace with fuse of proper size or reset breaker. If voltage is under recommended minimum. Check size of wiring from main switch on property. If OK, contact power company or hydro authority. Replace pump.
Pump operates but delivers little or no water.	Restricted discharge (obstacle or ice in piping). Restricted intake. Low line voltage. Worn or plugged impeller. The anti-airlock hole is plugged.	Remove pump and clean pump and piping. Remove the pump and clean out the intake screen. The voltage is under recommended minimum. Check size of wiring from main switch on property. If OK, contact power company or hydro authority. Replace pump. Turn off the pump, clean out the anti-airlock hole, and restart the pump.